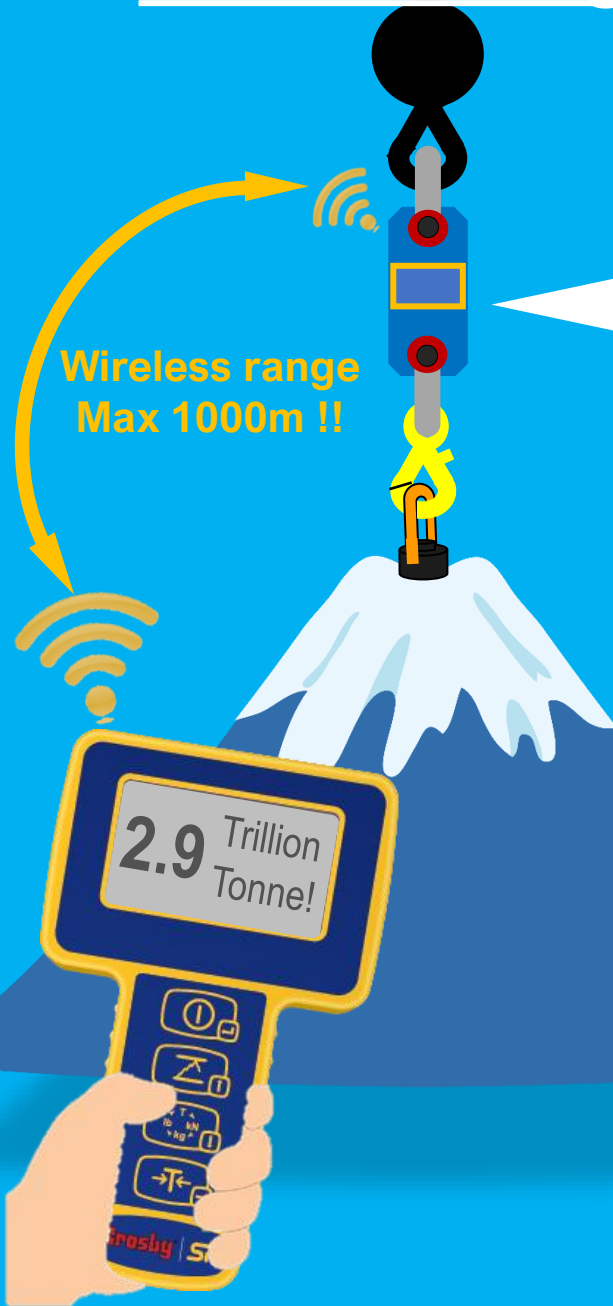


How many tons is that?

The real weight might be different!



Radiolink Plus (RLP)

- Proprietary 2.4 GHz Wireless (max 1,000m)
- Accuracy $\pm 0.1\%$ (full scale)
- High-quality aerospace aluminum body
→ compact and light weight
- Works on AA battery x4, 1,200h continuous
- Environmental protection IP67 (NEMA6)
- DNV-GL type approval

Handheld Display (SW-HHP)

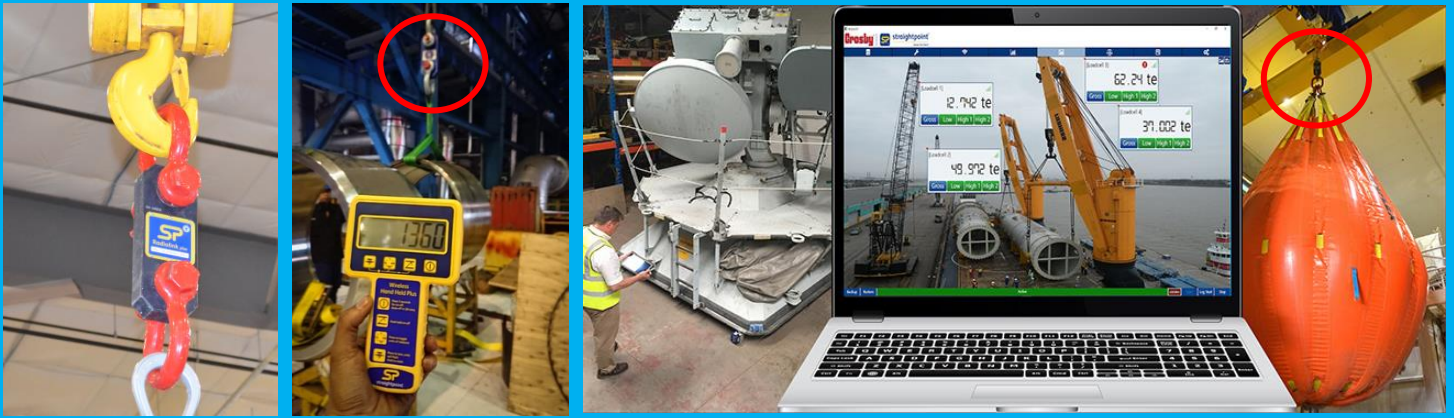
- Displays up to 4 load cells simultaneously
- Audible overload alarm (90db)
- Pre-set tare, 100Hz Peak hold
- Low battery / signal strength warning
- Annual calibration reminder
- Works on AA battery x2, 40h continuous

It is said that Mt. Fuji is theoretically 2.9 trillion tons, but who knows how much it really weighs?

“Know the load”

with our wireless loadcell to ensure your safe work environment.

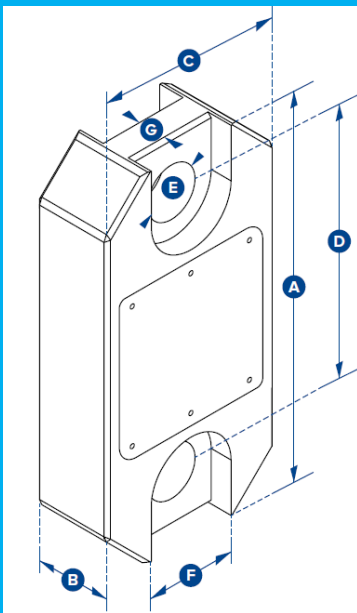
【Applications】



INSIGHT software

- Allows connection of up to 126 wireless load cells
 - Multi-channel display and data logging mode
 - Visualisation mode
 - Centre of gravity mode
 - Proof load testing
- ➔ If you want to know more, do not hesitate contact us.

【Specifications】



	RLP1T	RLP2T5	RLP6T5	RLP12T	RLP25T	RLP35T	RLP55T
使用荷重	1000kg	2.5t	6.5t	12t	25t	35t	55t
最低荷重	0.5kg	0.001t	0.001t	0.002t	0.005t	0.005t	0.01t
製品重量	1.5kg	1.5kg	2.4kg	3.7kg	5kg	8.6kg	13kg
安全係数	12:1	7:1	7:1	7:1	5:1	5:1	5:1
寸法(mm)							
A	204	204	249	305	340	393	424
B	43	43	43	47	60	75	75
C	104	104	113	113	115	126	180
D	146	146	165	193	215	225	230
ΦE	24.5	24.5	38	47.5	55	60	76
F	48	48	65				
G	19	19	32				

* Load cells over 55t are also available. please feel free to contact us.

* Explosion-proof model, Bluetooth model are also available. Please feel free to contact us.



MARTEC K.K.

Minatojima-nakamachi 5-1-1, Chuo-ku, Kobe 650-0046

JAPAN

Tel +81-(0)78-302-0460 / Fax +81-(0)78-302-1404

E-mail: info@martec.co.jp

Sales Partner: